

Dezyo

SUNBLINDS FOR SUNLOVERS



## **1 - Introduction**

Familiarise yourself with the product before using it for the first time. Please read the following instructions for use carefully. Use the product only as described and for the specified areas of use.

Keep these operating instructions for future reference.

If you sell or hand on the device, make sure you also hand over these operating instructions.

## **2 – Intended use**

The awning is suitable as protection from the sun and offers you the possibility of adjusting the shading according to the level of the sun and your wishes. Other uses of or changes to the product are not intended or approved, and may cause injury and/or damage to the product.

The device is not designed for commercial use.

Any other use that is not described in these operating instructions constitutes unauthorised misuse. The manufacturer is not liable for any damage resulting from this.

## **3 - General information about the awning**



Can be used  
in sunlight



Not to be used  
when snowing



Not to be used  
when raining



Not to be used  
during hail



Caution! Arms  
under tension!



Manufactured  
in Europe



CE marking

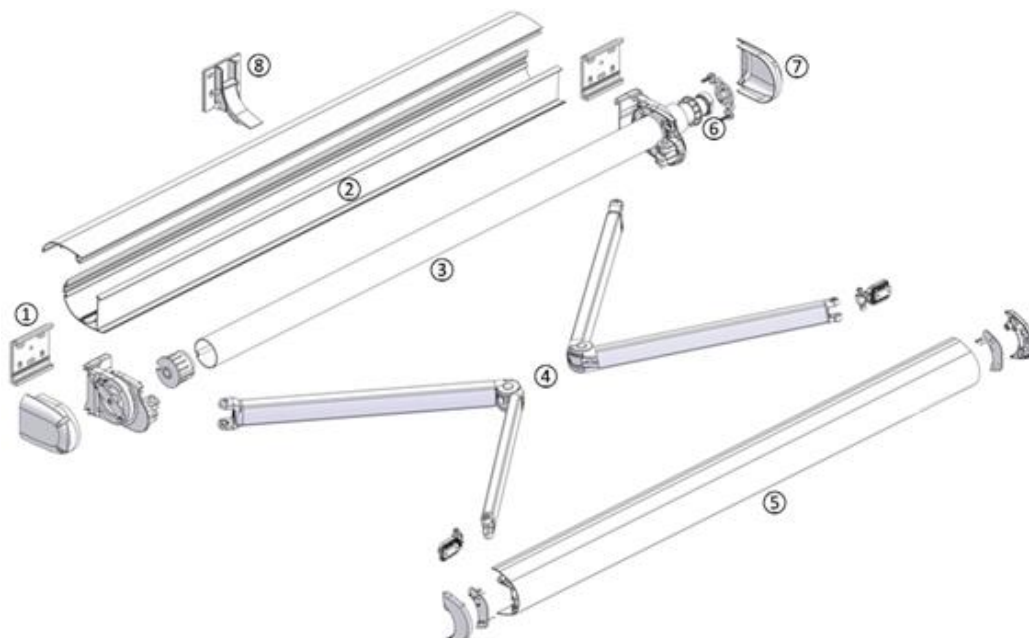


2-year warranty



Environmentally friendly

#### **4 – Overview of individual parts**



- ① Brackets
- ② Cassette profiles
- ③ Roller
- ④ Articulated arms
- ⑤ End rail
- ⑥ Motor
- ⑦ End cover
- ⑧ Middle support bracket (only 6 m version)

#### **Technical data:**

##### Motor

Power supply: 230 V ~ 50 Hz  
 Output: 205 W  
 Power consumption: 0.89 A  
 Protection class: IP44  
 Tractive force: 50 Nm  
 Speed: 12 r.p.m.

##### Remote control

Radio frequency: 433 MHz  
 Wireless range: 200 m (outdoors)  
 Operating temperature: 0°C to +60°C  
 Battery: 1 x CR2430, 3 V DC  
 Transmitting power: 10mW

#### **Wind resistance class:**

**Extended position ≤ 3 m: Class 2** (wind force 5, max. 38 km/h - fresh breeze, larger branches and trees are moving, wind clearly audible)

**Extended position >3 m: Class 1** (wind force 4, max. 28 km/h - moderate breeze, branches are moving, loose paper is lifted from the ground)

## **5 – Package delivered**

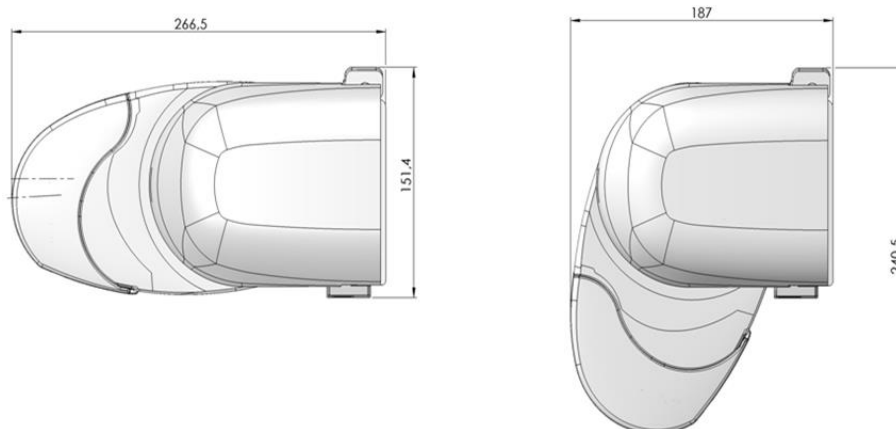
Immediately after unpacking, check that the contents are complete and that the product and all parts are in perfect condition.

- 1x awning
- 2x brackets
- 1 x middle support bracket (only 6 m version)
- 1 x connecting rod & eyelet
- 1 x tool for adjusting the motor
- 1 x remote control
- 1 x battery
- 1 x instruction manual

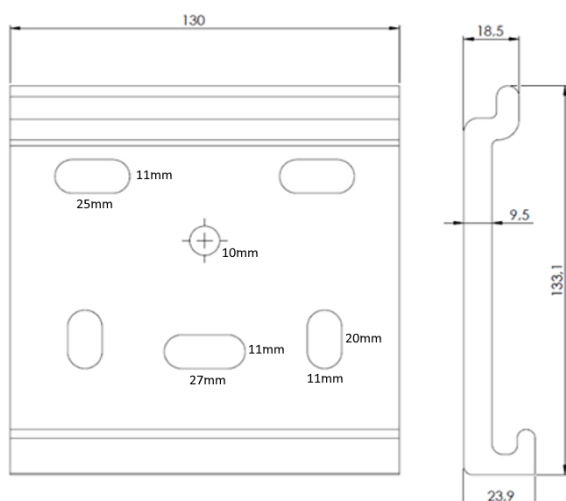
## **6 – Cross-sectional dimensions**

*all dimensions in mm*

### **Cassette:**



### **Wall brackets:**



## **7 - General information about the awning fabric**

Awning fabrics are high-performance products made from acrylic fibre. Nevertheless, even with the current state of technology and the requirements of environmental protection, there are limits to their perfection. Certain aspects of the fabric, about which there are occasional complaints, are possible despite sophisticated production and processing technology.

Basically, these effects occur to varying degrees in almost all awning fabrics. However, they do not reduce the quality of the fabrics in any way.

In order to avoid any annoyance, we would like to provide you with the relevant consumer information expressly to point out the following properties: \*

- Creases form during the manufacture and folding of the awning fabrics. This can lead to surface effects (pigment shifts) in the folds, especially with light colours, which appear darker (like streaks of dirt) when viewed against the light. They do not reduce the value or usability of the canopy.
- Chalk effects are light stripes that form on finished goods during processing and cannot always be completely avoided even with the greatest care. These too are therefore not a reason for complaint.
- Resistance to rain: Acrylic and polyester awning fabrics for protection against the sun are impregnated to make them water-repellent and with a minimum slope of 14° can withstand light, brief rain. In the event of heavy or prolonged rain, awnings must be retracted to avoid damage. Awnings rolled up wet should be extended again to allow them to dry as soon as possible.
- Ripples in the hem, seam and panel area is caused by multiple layers of the fabric and different winding thicknesses on the roller. The resulting tension in the fabric can trigger ripples (e.g. waffle or herringbone patterns).
- The sewing thread of the fabric does not have to be of the same colour as the part of the fabric in which the seam is located.

\*) (Extract from: Important consumer information: 'Product properties of awning fabrics' from the Industrial Association of Technical Textiles - Roller Shutters - Sun Protection).

## **8 - Safety instructions**

**WARNING - FOR PERSONAL SAFETY IT IS IMPORTANT TO FOLLOW THESE INSTRUCTIONS. KEEP THESE INSTRUCTIONS IN A SAFE PLACE**

- This device is not intended to be used by persons (including children) with limited physical, sensory or mental capabilities or lack of experience and/or knowledge. Unless they are supervised by a person responsible for their safety or have received instructions from them on how to use the device.
- Cleaning and maintenance by the user must not be carried out by children.

- Do not let children play with the controls. Keep remote controls away from children.
- Check the installation frequently for irregularities and signs of wear or damage to cables and springs. Do not use if repairs or adjustments are required.
- When maintenance work, such as window cleaning, is carried out in the vicinity, do not use the awning and first disconnect it from the electrical outlet .
- Keep the device and the power cord out of the reach of children.
- If the cable of this device is damaged, stop using the product and contact the manufacturer for further instructions.

## **9 - Basic safety information**

**Please read all safety information and instructions. Failure to comply with the safety information and instructions can cause electric shock, fire and/or serious injury.**

Generally recognised accident prevention regulations and accompanying safety instructions must be observed. If you disregard the safety instructions, you put yourself and others in danger.

- The device may be used only if it is in perfect working order and fully assembled. If the device or a part of it is defective, it must be taken out of service and properly repaired or disposed of.
- Always carry out the work with caution, making sure you are in good shape; working on the device when you are tired, ill, under the influence of medicines or drugs or have consumed alcohol is irresponsible as you are no longer able to use the device safely.



### **Risk of accidents and/or fatal injuries to (small) children!**

- Never leave children unattended with the packaging material or product. There is a risk of suffocation from packaging material and danger to life through strangulation. Children often underestimate the dangers. Keep children away from the product at all times. The product is not a toy.
- **BEWARE!** Do not leave children unattended/unsupervised! The awning is not intended for climbing on or as a toy!
- **RISK OF INJURY!** Keep children away from the working area during installation and when making adjustments.
- Make sure that people, especially children, do not pull themselves up on the awning. The awning can fall down. This can result in injuries and/or damage to property.
- Three people are needed to assemble the awning. The awning is very heavy. At least two people are needed to fit the awning to the wall hook. Do not try to mount the awning on your own. If the awning falls down, it can be damaged and lead to serious injuries!

- Make sure that there are no people or obstacles in the opening and closing area of the awning! Failure to do so may result in injury and/or damage.
- Do not reach into the moving parts while the awning is opening/closing. This could result in injury.
- Retract the awning in the event of
  - o wind
  - o rain (formation of water pockets)
  - o snow (snow load)
  - o absence
  - o thunderstorms (strong gusts of wind, heavy rain)
  - o frost (freezing of the awning fabric).
- Operation in winter weather conditions can cause damage.
- Check the awning for any damage every time before using. Never use your awning if you notice any damage
- In the event of damage, repairs or other problems with the awning, contact the service centre or a qualified electrician.
- Make sure that the awning fabric is always properly rolled up. Failure to do so may result in damage to the awning fabric. The crank mechanism of the awning does not have a limit stop to restrict the rotation of the fabric roller. Make sure that the fabric is taut. Keep an eye on all devices in operation when controlling multiple devices at the same time. Failure to do so could lead to one of these devices going out of control and causing injury and/or damage.
- Do not use the remote control when there is strong interference. During operation, interference from other transmission systems or end devices can occur if they use the same frequency, for example.
- The awning may only be attached to a surface capable of bearing the weight.
- Make sure your hands are clean during assembly. The awning can otherwise become soiled.
- If possible, do not assemble the awning in snowy or frosty conditions. The awning could otherwise be damaged.
- Always retract the awning when it rains.

## **10 – Handling mains-operated devices**



### **BEWARE! DANGER TO LIFE THROUGH ELECTRIC SHOCK!**

- The plug on the product must match the socket. The plug must not be modified or disconnected in any way. Do not use adapter plugs together with earthed products. Unmodified plugs and matching sockets reduce the risk of electric shock.



Keep the product away from rain or moisture. Penetration of water into the electrical product increases the risk of electric shock.



Do not use the cable to carry the product, hang it up or to pull the plug from the socket. Keep the cable away from heat, oil, sharp edges and from moving parts. Damaged or entangled cables increase the risk of electric shock.



The permanent electrical installation must be carried out by an authorised electrician in accordance with VDE100. The enclosed installation instructions for the electrical devices supplied must be observed.

- The device may be connected to a socket only with a properly installed earth contact.
- It must be protected by a residual current circuit breaker (FI switch) with a rated residual current of not more than 30 mA.
- Before connecting the device, it must be ensured that the mains connection corresponds to the device connection data.
- The device may only be used within the specified voltage and power limits (see type plate).
- Do not touch the power plug with wet hands! Always pull the power plug by the plug, not the cable.
- Check the plug and cable before use every time.
- If the power cable is damaged, disconnect it from the power source immediately. Never use the device with a damaged power cable.

## **11 – Safety instructions for batteries**



### **DANGER! Danger to life!**

Keep batteries out of the reach of children. Do not leave batteries lying around. There is a risk of them being swallowed by children or pets. In case of swallowing, consult a doctor immediately!



### **RISK OF EXPLOSION!**

Never try to recharge batteries, never short-circuit them and/or open them. This could result in overheating, a fire hazard or bursting open. Never throw batteries into fire or water. The battery can explode.

- Avoid extreme conditions and temperatures that could affect the batteries, e.g. placing them on radiators. Otherwise there could be an increased risk of leakage.



- Immediately remove the used batteries from the product. Otherwise there could be an increased risk of leakage.
- Check the batteries regularly for leaks.



Leaking or damaged batteries can cause chemical burns on contact with the skin; in this case, it is therefore essential to wear suitable protective gloves!

- Avoid any contact with skin, eyes and mucous membranes if liquid has leaked from the battery. In the case of contact with battery acid, rinse the affected areas immediately with plenty of clean water and consult a doctor as soon as possible.
- In the case of slight contamination, clean the battery and the product contacts with a dry, lint-free cloth before replacing the battery.
- Remove the battery from the product if the awning is not to be used for a prolonged period.
- Check the polarity when inserting the battery! This is indicated in the battery compartment. Otherwise the battery could explode.
- Insert the battery carefully. Otherwise the product could become damaged.
- Replace the battery in good time as soon as the remote control range decreases or the awning stops responding.
- Please do not throw used batteries into household waste, but dispose of them at the collection points designated for special waste.

## **12 – Safety instructions for assembly**

- Technical knowledge is required to assemble the awning. Do not assemble this awning yourself if you
  - o are not sure whether the awning can be installed in the location chosen.
  - o do not understand the instruction manual or parts of it
  - o do not have the necessary tools.
  - o do not have the necessary technical knowledge
- Never change the design or configuration of the system without consulting the manufacturer or an authorised representative, as this can result in a dangerous situation.
- Do not assemble the awning if you find damaged parts or if parts are missing.
- When extended, the awning is affected by various forces, including wind and rain. These sometimes considerable forces have to be absorbed by the awning and transmitted to the structure via the mounting brackets. Under extreme loads, excessive force can be exerted on the securing anchors. Therefore, before you start assembling the awning, check the load-bearing capacity of the fastening structure and, if necessary, take the necessary measures to ensure that the brackets are securely fastened. If the attachment is not secure, you should consult a specialist in your area.

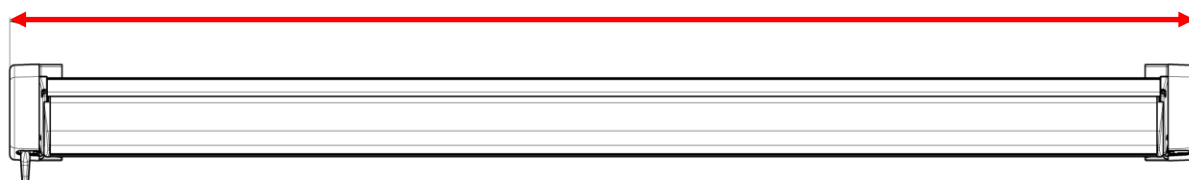
### **13 – Tools and accessories recommended for assembly**

- Power drill with matching drill bits
- Wrench/spanner
- Soft face hammer
- Allen key
- Tape measure
- Spirit level
- Screwdriver
- Pliers
- Brush for cleaning the drilled hole

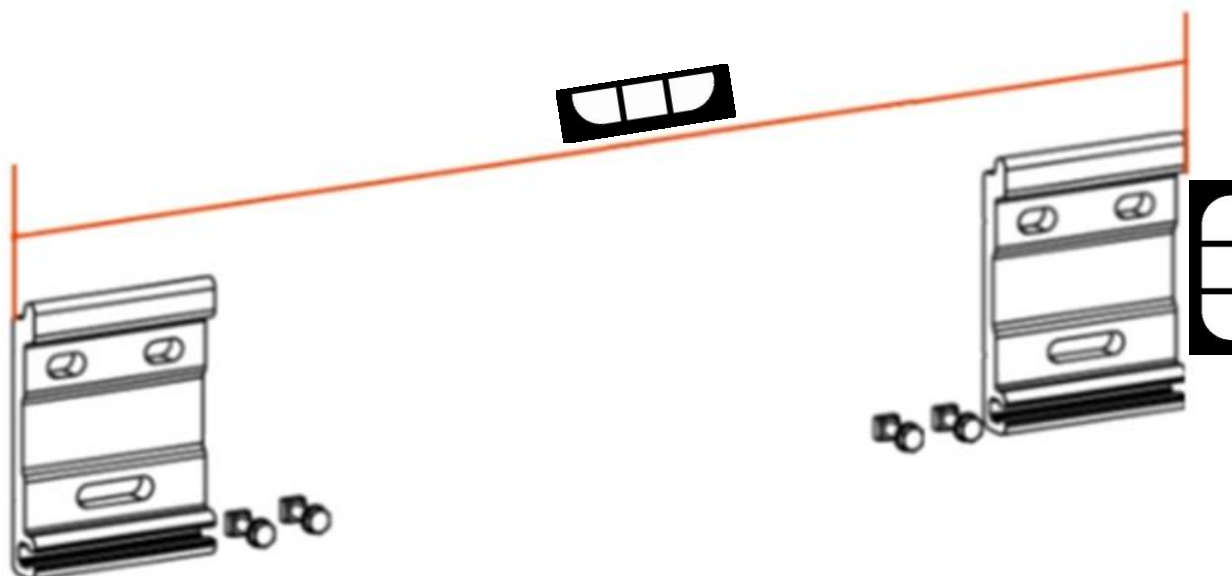
### **14 – Overall width of the awning**



The overall width is always stated from outer edge to outer edge, including all end covers.



### **15 – Installation of brackets**



The distance between the outer sides of the plates is  $L - 70$  mm.

$L$  = overall width of the awning

The outer edges of the awning suspension claws should be flush with the outer edges of the brackets.

Make sure you use suitable mounting material for the relevant mounting surface! This is NOT supplied with the product.

Drill deep enough and clean the drill holes thoroughly.

Do not drill through mortar (joints) as this does not provide the necessary grip!

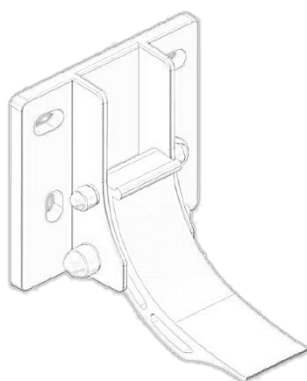
Do not drill too close to the edge of the subsurface to avoid it breaking loose!

The fastening screws must not protrude too far forwards, otherwise they will press against the awning and the awning cannot be attached correctly!



Optional:

For awnings with an overall width of 6 m or more, a third bracket is provided which is fitted in the centre of the awning to increase stability.



OK



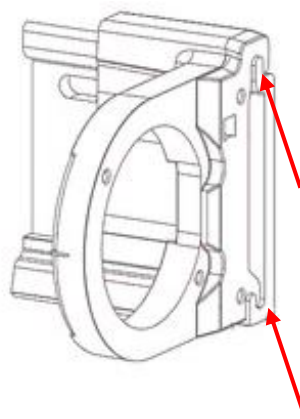
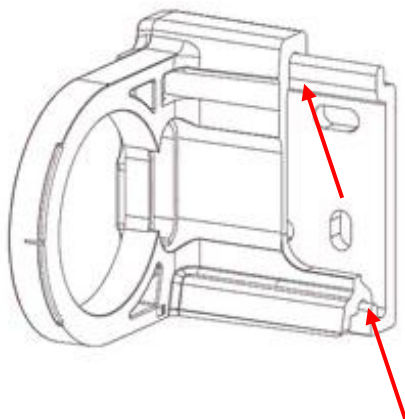
NO



Make sure that all 3 brackets are installed exactly in line and level in order to avoid tension and deformation of the awning!

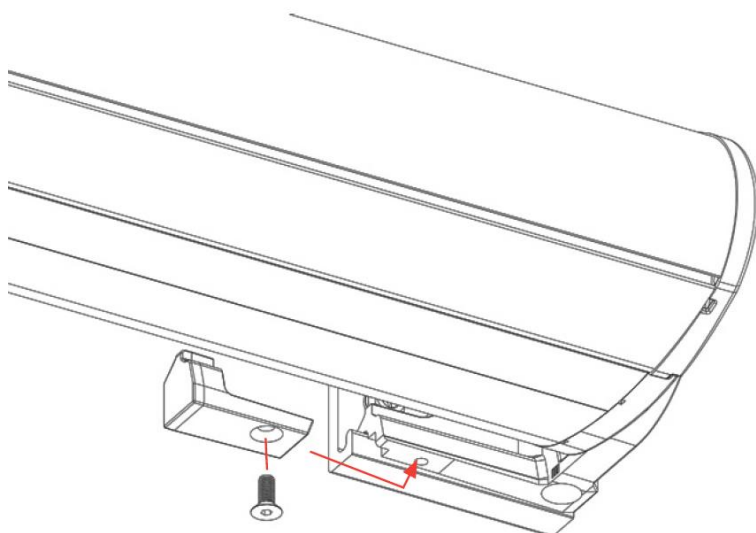
**16 – Attaching the awning**

**Securing the system to the wall fittings**



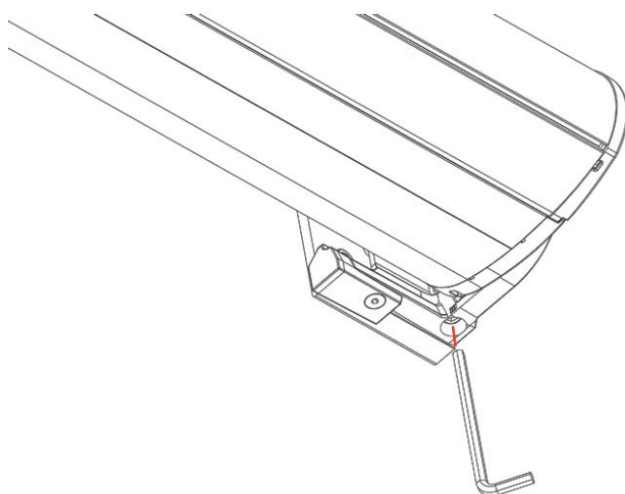
Make sure that both the upper and the lower fastening points are correctly hooked into both brackets!

### Securing the awning in the brackets



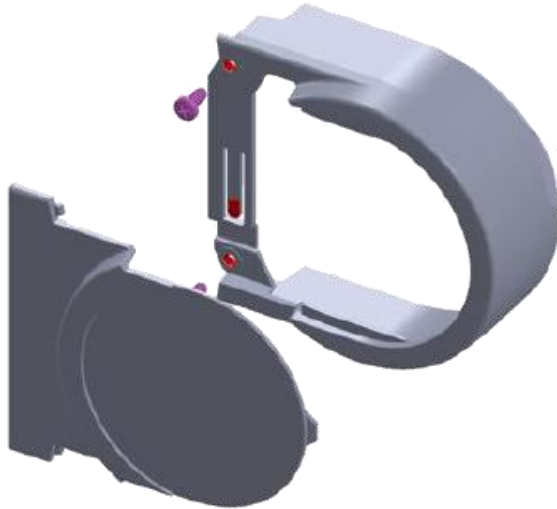
Slide the locking plate onto the bracket, as shown in the picture. Then fix the locking plate from below, using the screw supplied.

### 17 - Adjusting the angle of inclination



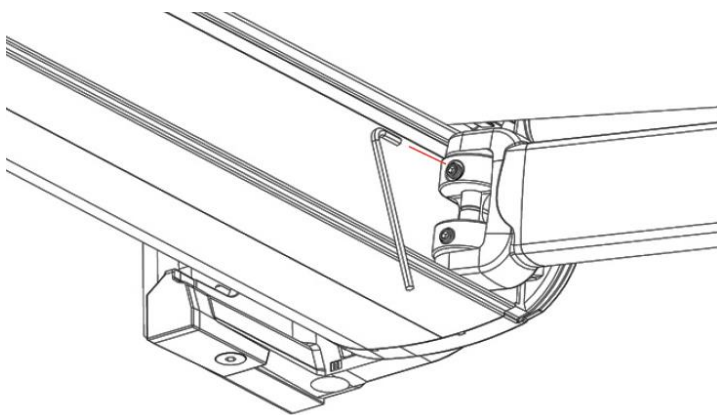
Turn the screw shown on the lower edge of the awning clockwise with an 8 mm Allen key to adjust the inclination upwards and counter-clockwise to adjust the inclination downwards. **IMPORTANT:** When adjusting, it is essential to reduce the pressure on the screw by lifting the awning by the end rail!

## **18 – Fitting the side covers**



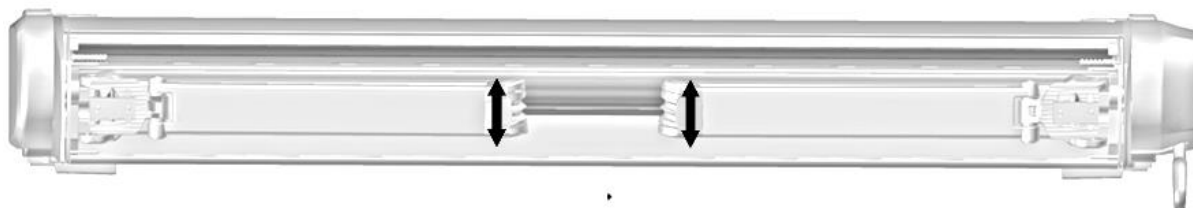
Secure the side cover on both sides using the screws provided. Note that the cover on the motor side is wider.

## **19 - Adjusting the height of the articulated arm**



1. Loosen the lower of the two Allen screws.
2. Turn the upper Allen screw clockwise to adjust the articulated arm upwards and counter-clockwise to adjust the articulated arm downwards.
3. Re-tighten the lower Allen screw to fix the set position.

When adjusting the height of the articulated arm, the load on the articulated arm must always be reduced so as to avoid damage to the suspension! (Push the articulated arm up)



The height of the articulated arm should be adjusted in such a way that both articulated arms are at the same height as each other.

## **20 – Operating the awning**

The remote control supplied is already preprogrammed for the motor. Press the arrow buttons  $\wedge$  /  $\vee$  to extend or retract; the middle button serves as the stop button.

When the buttons are pressed, the red LED below the buttons lights up. If this is not the case, please replace the battery.

## **21 - Programming the remote control**

If the awning does not respond to the remote control despite the red LED lighting up, you should try to reprogramme the remote control to the built-in motor.

- Unplug the awning from the socket
- Open the battery cover on the back of the remote control. There is a "P2" button next to the battery
- Put the plug back into the socket - the motor should beep once
- Press the "P2" button once - the motor should respond by moving
- Press the "P2" button again - you should hear a beep when you do so
- Turn the remote control over and press the retract button on the front (upper arrow button). You should hear a 7 beeps from the motor.



Note: there is another small cable with a programming button on the motor. This button is required solely for the settings in the factory and should not be pressed!

## **22 - Setting the extension/retraction distance**

The motor has already been pre-set at the factory. Major settings are therefore not required before it is used. However, the motor needs to be readjusted in the following cases:

- The awning does not extend fully
  - The awning does not retract fully
  - The awning fabric sags
  - The motor continues to run although the awning is already fully closed
- 
- Turn the red adjusting screw clockwise in direction [+] to increase the extension distance.
  - Turn the red adjusting screw counter-clockwise in direction [-] to reduce the extension distance.
  - Turn the white adjusting screw clockwise in direction [+] to increase the retraction distance.
  - Turn the white adjusting screw counter-clockwise in direction [-] to reduce the retraction distance.

The awning fabric stretches over time through the permanent spring tension, which means that the retraction distance has to be corrected.

External influences, such as moisture or heat, can have an impact on the awning fabric to such an extent that the retraction distance needs to be readjusted.



Note: Wait approx. 30 minutes if the motor does not work after adjusting it several times and then restart it.

Do not overload the motor. Otherwise the service life of the engine can be shortened.



## **23 – Operating the awning manually**

The built-in motor has a manual crank function, but this may only be used to retract the awning in an emergency, e.g. in the event of a power failure.



It is not suitable for continuous operation; this can lead to serious damage to the awning!

- Remove the side cover on the left-hand side (motor side), see point 18, Fitting the side covers

- Insert the emergency crank eyelet into the hexagonal opening provided on the motor with a little pressure. (The rubber ring on the emergency crank eyelet makes it stick in the motor.)
- Insert the crank rod in the eyelet and turn it clockwise to retract the awning. ATTENTION: make absolutely sure that the awning is retracted the right way round, otherwise the fabric will wind up incorrectly on the roller. The fabric must always wind up onto the roller from above!

## **24 - Troubleshooting**

<b>Failure</b>	<b>Cause</b>	<b>Solution</b>
The awning does not respond to the remote control	No power supply present	Check the plug for proper connection. If the connection is not right, contact a professional
	The residual current circuit breaker (FI switch) on your house installation is in the "off" position	Contact a professional
	The voltage is too low	Contact a professional
	The remote control battery is dead	Replace the battery
	The motor has switched off due to overheating protection	After about 30 minutes the motor will switch on again automatically
The awning sags, although it is fully extended.	The extension length is not set correctly	Reset the extension length according to point 22 "Setting extension/retraction distance"
Unwanted background noise during operation	One or more screws have come loose	Check all visible screws and tighten any loose screws.
	The awning rubs against an obstacle while it is moving	Make sure that the awning runs freely without touching anything
The remote control LED does not work	The battery is dead	Replace the battery
	The battery is inserted incorrectly.	Insert the battery with the correct polarity



The awning does not close properly on one side	This effect can result from unavoidable stretching of the fabric	Check the setting of the articulated arm
		Line the roller with fabric on one side for more volume

## **25 - Maintenance**



### **BEWARE! Risk of injury!**

Carry out the maintenance work regularly. Failure to do so could jeopardise your safety and that of others. Regular maintenance will extend the life of your awning.

- Check regularly that all brackets are securely in place
- Check every six months that all nuts and bolts are still tightly secured. Tighten them if necessary.
- Never use the awning if it is damaged or if the awning fabric does not become taut.
- Contact the service centre or a specialist to repair the awning.
- It is not usually necessary to grease the awning parts. If it is necessary, please contact our service centre.

## **26 – Cleaning**

- Use a mild spray cleaner or a mixture of water and mild detergent to clean the plastic and housing parts.
- Only use clear water to clean the cloth.
- Never use harsh chemical cleaning agents and/or tools that could damage the surface of the fabric.
- Never roll up a wet awning fabric; always let it dry completely first to avoid mould and mould stains.

## **27 - Warranty**

The product comes with a 2-year warranty on the product from the date of purchase. The product was produced with great care and thoroughly checked before delivery. Please keep the receipt as proof of purchase. In the event of a warranty claim, please always contact whoever sold you the awning first.

This warranty applies only to the original purchaser and is not transferable. The warranty will be null and void in the case of improper and/or incorrect use, the

application of force and interventions not carried out by our authorised service branch.

Your legal rights are not restricted by this warranty. Furthermore, the warranty applies only to material or manufacturing defects. It does not apply to parts subject to wear or damage to fragile parts, e.g. awning fabric. Batteries are excluded from the warranty.

Warranty conditions for the awning fabric:

The awning fabric comes with a 5-year warranty from the date of purchase. This warranty is valid under the following conditions:

Once the warranty claim has been established, the fabric acknowledged as being defective (web material, 120 cm wide, excluding manufacturing or other ancillary costs) will be replaced free of charge. Further replacement services and reimbursements (e.g. manufacturing costs, consumables, etc.) of any kind are expressly excluded under this warranty.

All claims must be made immediately after the defect is discovered. The corresponding claim report must be sent to your specialist dealer together with proof of purchase and, where applicable, pictures.

The defective material must be made available to our experts or an authorised representative, e.g. our insurance company.

Replacement or reimbursement of the defective material does not result in a renewal of the warranty period; the original warranty period from the date of purchase continues to apply.

This warranty extends exclusively to the rot resistance and the colour fastness of the fabrics that are used as intended, are subject to normal weather conditions and are subjected to regular cleaning and care.

The following points are therefore expressly excluded from the warranty:

- all services not provided by the fabric producer, such as cloth manufacture, etc.
- all components of the awning that do not consist of the same fabrics: e.g. valances made of foreign fabrics, fittings, etc.
- anomalies that correspond to the state of the art, e.g. ripples and folds, marbling and other material and production-related phenomena (see also "Guideline for the assessment of ready-made awning fabrics" in its most current form), as well as all errors caused by the manufacture or assembly of the awning.
- Signs of use and/or environmental damage caused by improper use or misuse of the awning
- Damage or defects caused by accident, negligence or force majeure.

## 28 - Disposal



The packaging is made from environmentally friendly materials, which you can dispose of at your local recycling centre.



You can find out about the option for disposing of the discarded product from your municipal or urban administration.



Batteries and rechargeable batteries that are no longer required do not belong in the household waste; they must be disposed of in accordance with the relevant regulations.

Bring batteries that have become unusable to a battery collection point operated by the dealer or the municipality. Do not incinerate batteries. **Risk of explosion!**

At the end of the service life of the awning, the motor should be removed and disposed of in a due and proper manner..



**WARNING!** Risk of injury from high spring tension.

To avoid accidents, the articulated arms must not be under spring tension when dismantling!

Our service department can provide you with detailed instructions on how to remove the motor.

## 29 - Service

If you have any questions or problems, please contact our service department directly:

Depot 18 GmbH

Gewerbering 3

67691 Hochspeyer

Tel.: (+49)6305-715429-0

Fax: (+49)6305-715429-29

E-mail: [mail@depot18.de](mailto:mail@depot18.de)

[www.depot18.de](http://www.depot18.de)



The company Depot 18 GmbH declares that the "Elba" awning complies with the basic requirements and relevant regulations of the EN standards. The "Elba" awning

meets the requirements of the wind resistance class specified in the CE conformity mark. The requirements are met only if the manufacturer's instructions are heeded.

**CE**

Depot 18 GmbH  
Gewerbering 3  
67691 Hochspeyer  
Germany

**21**

In accordance with EN 13561:2004 + A1:2008

Awning for use outside of buildings and other  
structures

Elba

Wind resistance class 2